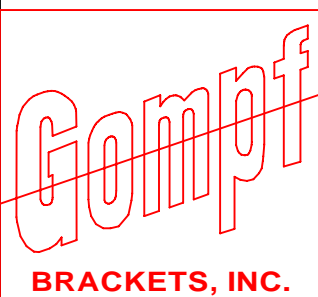
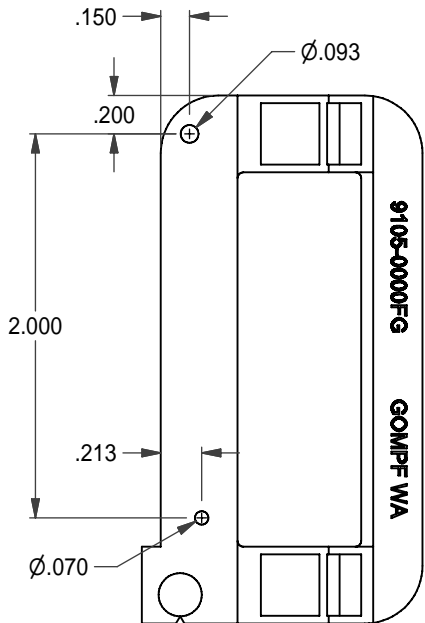
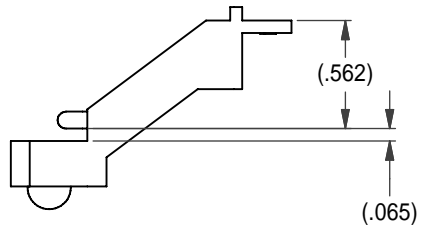
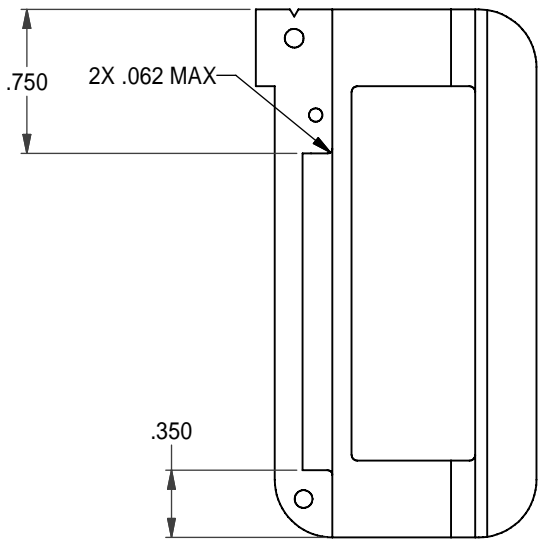


1 2 3 4 5 6

A  
B  
C  
D  
E  
F  
G

A  
B  
C  
D  
E  
F  
G



DRAWN BY: Valen	DATE: 2/16/2005
APPROVALS:	
MATERIAL: BLACK POLYCARB UL94V-0	
FINISH:	
TOLERANCES:	STD. TOLS. ± 0.01 RAD. TOLS. ± 0.01 HOL. TOLS. ± 0.005 MAT. TOLS. ± 0.002

# Gompf Brackets, Inc.

12426 Suite C Mukilteo Speedway - Mukilteo, WA 98275  
866-391-0495 (phone) 866-391-0496 (fax)  
sales@bracket.com -- www.bracket.com

COPYRIGHT PROTECTED		SIZE: A	SCALE: 1:1	GOMPF PART NUMBER: 9105-0001FG	REV: 0	THIRD ANGLE 
CUSTOMER NAME:				CUSTOMER PART NUMBER:		

1 2 3 4 5 6