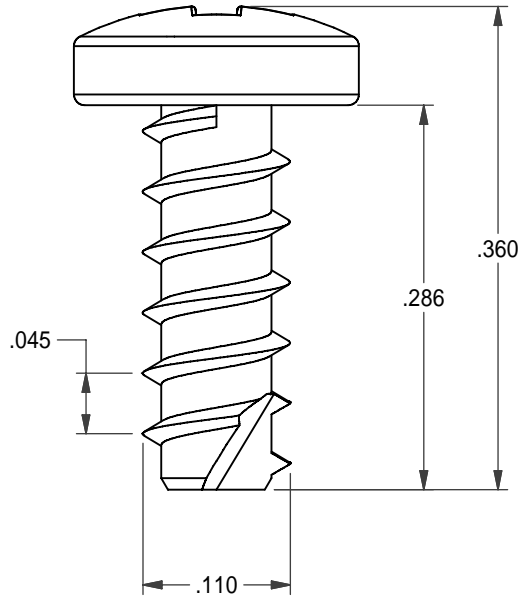
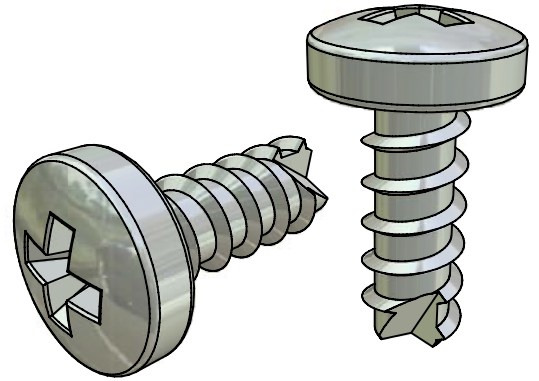
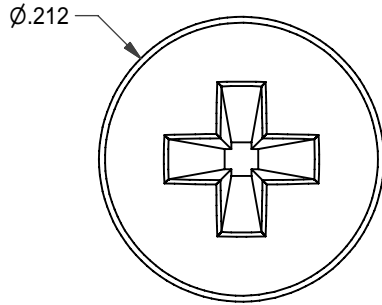
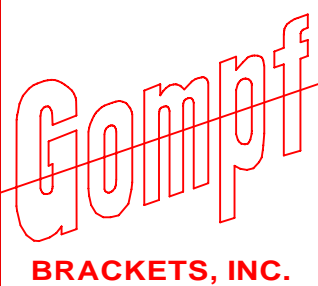


ENGINEERING CHANGE ORDER - (ECO)		
ECO #	DESCRIPTION	DATE
00	ORIGINAL	7/16/1996
01	ADDED RoHS REQUIREMENT	9/28/2005



FOR USE WITH PCI RETAINERS  
 9100-0000FG  
 9106-0000AFG



DRAWN BY: Valen	DATE: 9/28/2005
APPROVALS:	RoHS COMPLIANT: Yes
MATERIAL: Hardened Steel	
FINISH: Zinc (Chromium VI Free)	
TOLERANCES: STD. TOLS. ± 0.005 RAD. TOLS. ± 0.01 HOL. TOLS. ± 0.005 MAT. TOLS. ± 0.002	

## Gompf Brackets, Inc.

12426 Suite C Mukilteo Speedway - Mukilteo, WA 98275  
 425-348-5002 (phone) 425-348-5150 (fax)  
 sales@bracket.com -- www.bracket.com

COPYRIGHT PROTECTED		SIZE: A	SCALE: 7:1	GOMPf PART NUMBER: 6089-3512	REV: 0	THIRD ANGLE 
CUSTOMER NAME:				CUSTOMER PART NUMBER:		